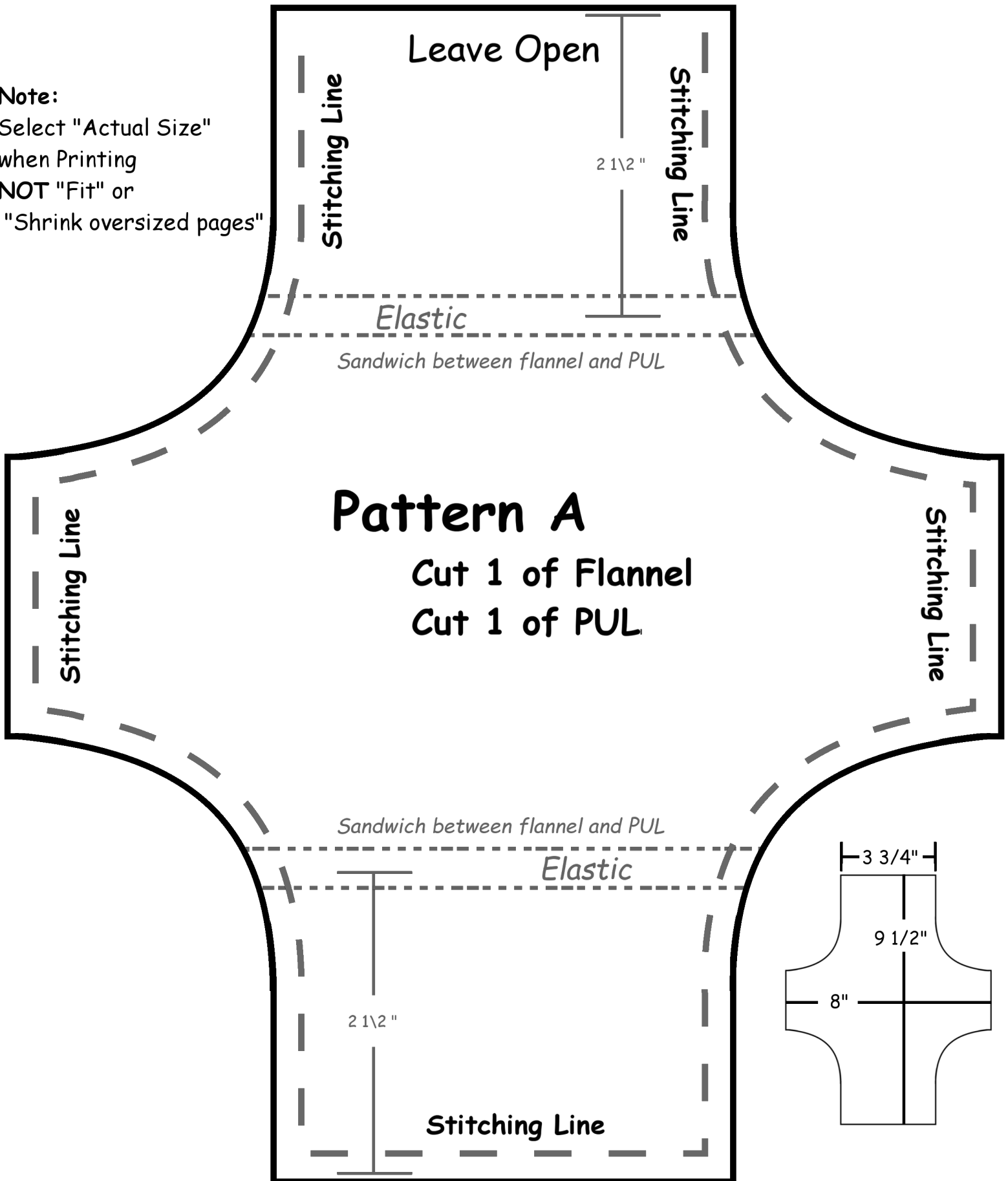
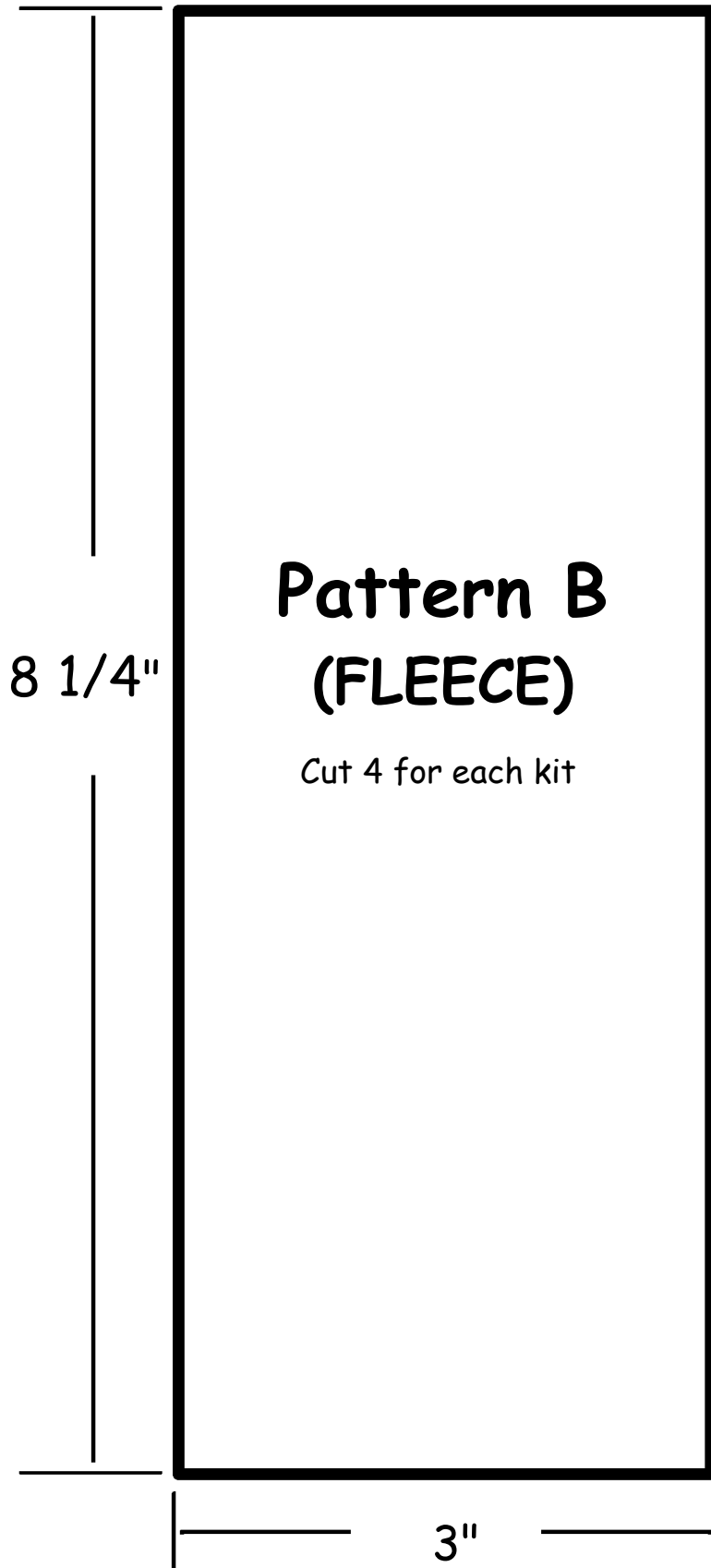


**Note:**  
Select "Actual Size"  
when Printing  
**NOT** "Fit" or  
"Shrink oversized pages"





# Pattern C (FLEECE)

Cut 4 for each kit

9 1/2"

8 1/4"