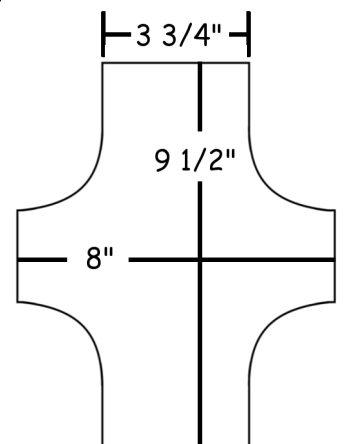
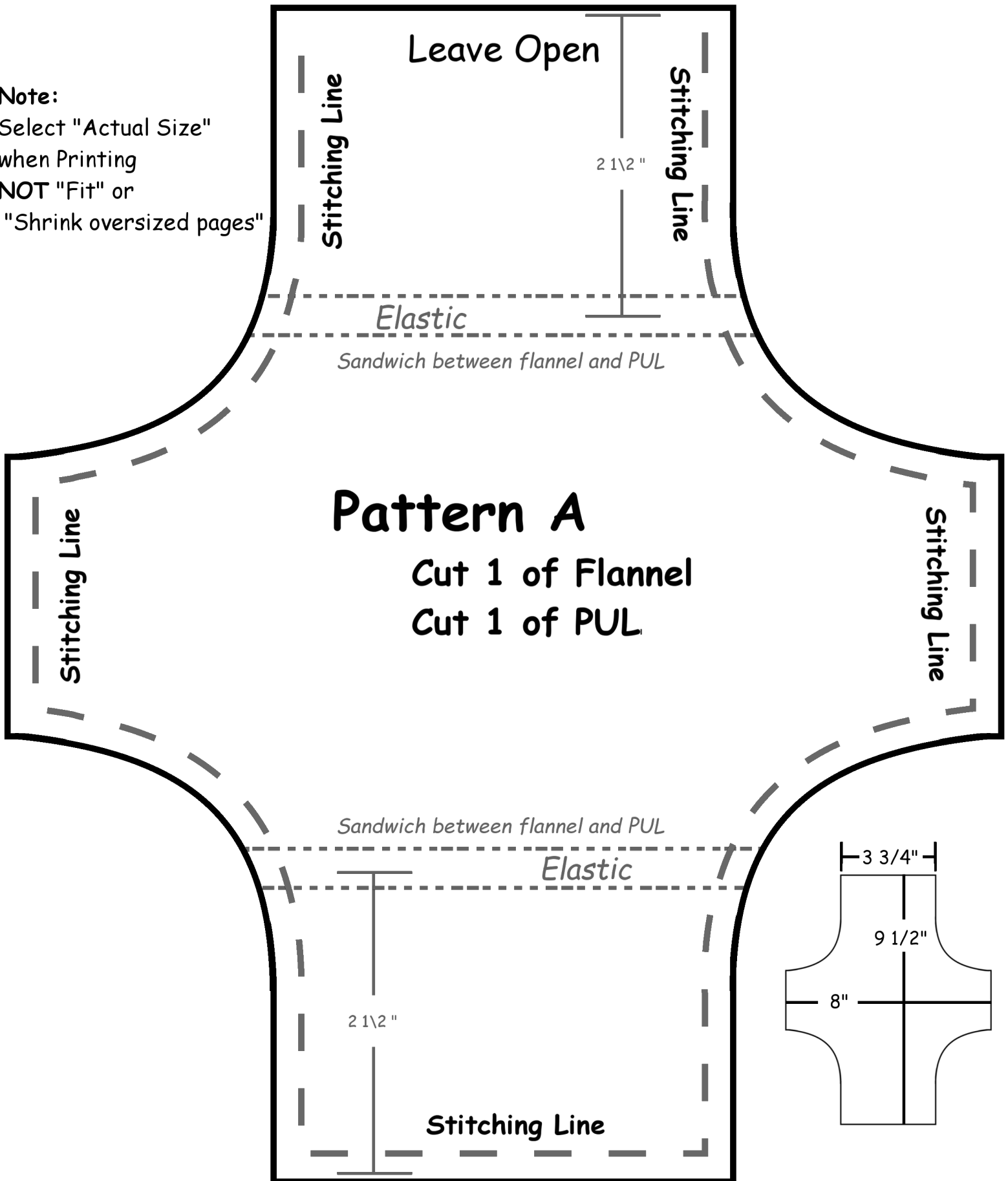
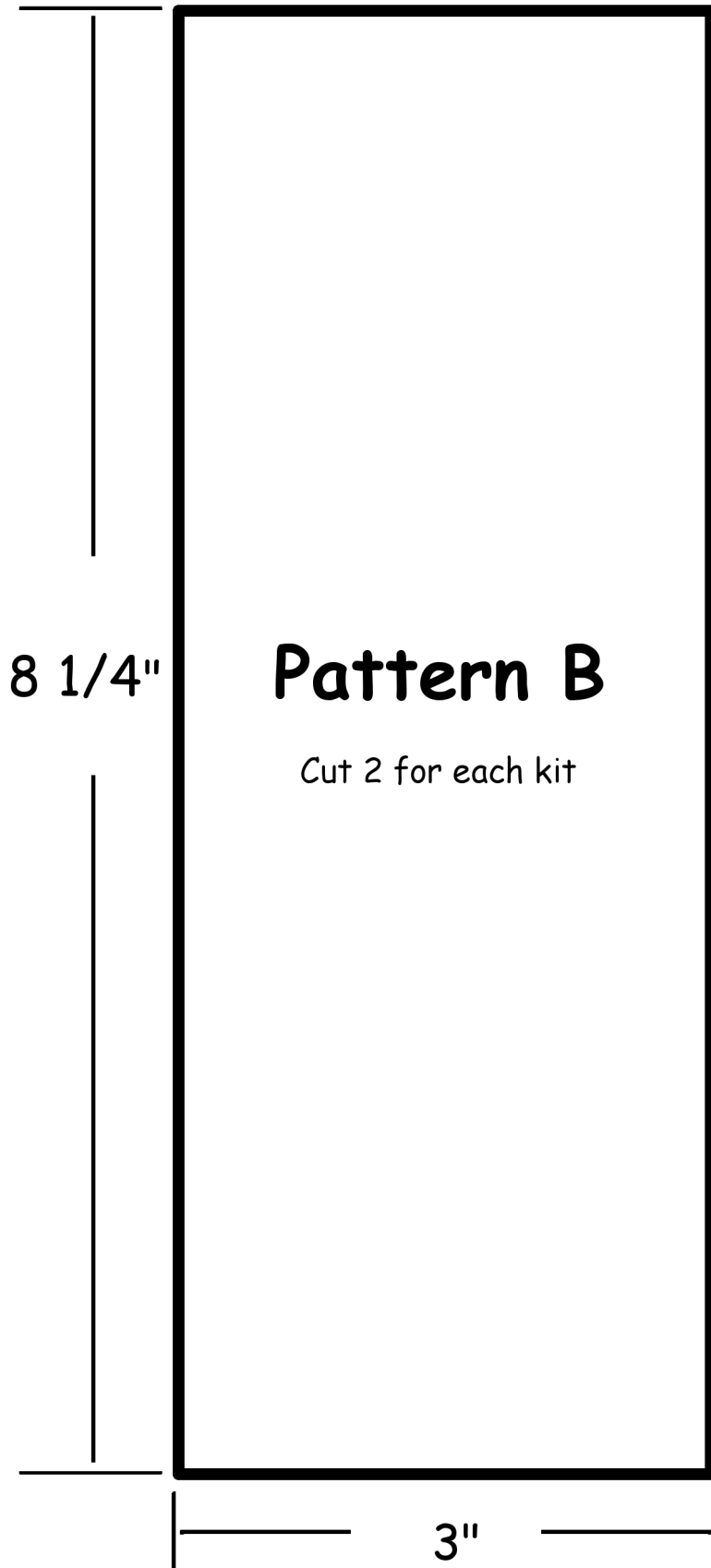


Note:
Select "Actual Size"
when Printing
NOT "Fit" or
"Shrink oversized pages"

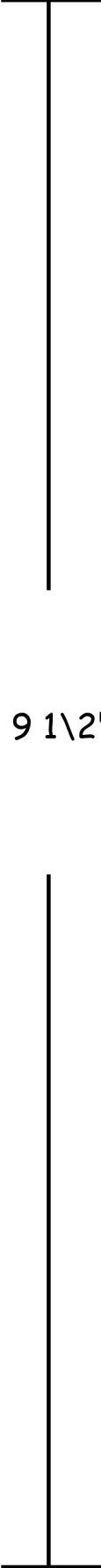




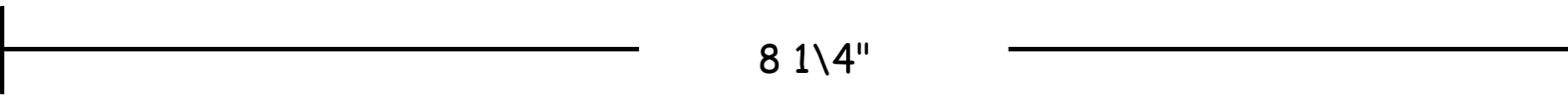
Tip: An old towel works
Great for the liners,
instead of buying
new terry cloth

Pattern C

Cut 2 for each kit



9 1/2"



8 1/4"